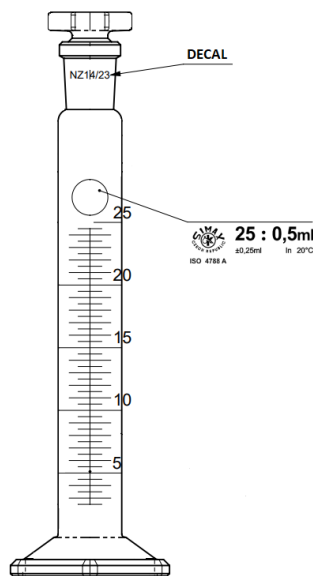


Issuer's name/ producer: **KAVALIERGLASS, a.s.**
 Issuer's address/Producer: **Křížová 1018/6, Prague 5**
office: Sklářská 359, 285 06 Sázava, Czech Republic

Object of the declaration: **CYLINDERS GRADUATED with SJ and glass stopper, blue graduation, class A**

Catalog Nr.	Customer Nr.	Product Code	Capacity [ml]	Graduation division [\pm ml]	d [mm]	h [mm]
1652 AMS	DBB038	1632432210923	25	0,5	21,3	160

Scheme of the glass item



Material specification:		
Cylinder graduated	clear	Borosilicate glass SIMAX [®]
Print on the body of the cylinder	blue - PANTONE 2935U	in fired-on, chemically resistant diffusion colour
Decal on the neck of the cylinder	green – PANTONE 349C	in fired-on, chemically resistant ceramic decal
Purpose of use	Laboratory volumetric glassware – thinning of solutions In-calibration (fill-inn) at the reference temperature +20 °C. The uniform thickness of the wall eliminates the wedge-error of the reading.	

The object of the certificate described above is in conformity with the requirements of the following standards and regulations:

Glass characteristics:

- ISO 3585 Borosilicate glass 3.3 – Properties.
 - Chemical durability (art. 4.1, 4.2, 4.3, 4.4)
 - Physical properties (art. 5.1, 5.2, 5.3, 5.4, 5.5, 5.6)
- ISO 4788 Laboratory glassware – Graduated measuring cylinders
 - Maximum permissible errors in capacity fulfill the values specified in Table 1/ISO 4788. These errors represent the maximum permissible error at any point on the scale.

Table 1 – ISO 4788

Class A, Certified Graduated Cylinder		
Nominal capacity [ml]	Accuracy limits [\pm ml]	Stopper size NS
5	0,05	10/19
10	0,10	10/19
25	0,25	14/23
50	0,50	19/26
100	0,50	24/29
250	1,00	29/32
500	2,50	34/35
1000	5,00	45/40
2000	10,00	45/40

No heavy metals (lead, cadmium, mercury and hexavalent chromium):

- **Regulation (EC) No. 987/2008 of 8 October 2008 amending Regulation (EC) No. 1907/2006 – REACH as regards Annexes IV and V – glass was exempted from the obligation to register.**

Chemical characteristics (acc. to Regulation No 1907/2006/EC):

Composition:	CAS No.	EINECS No.	Component:	Concentration /Percent:
	65997-17-3	266-046-0	Glass, oxide, chemicals	100%

Characteristics of Borosilicate glass SIMAX®

- **Acid resistance Class I.** ISO 1776
- **Hydrolytic resistance Class I.** HGB1 to ISO 719;
HGA1 to ISO 720
- **Alkali resistance Class II.** ISO 695
- **Coefficient of mean linear thermal expansion α : $3,3 \times 10^{-6} \text{ K}^{-1}$** ISO 7991; (20/300 °C)

Additional information:

The producer confirms hereby that the characteristics, measures and accuracy of the products listed above are in full conformity with the provisions of the standard.

The producer also declares that the products are safe when used in usual and proper way.

The producer has installed the Quality Assurance System according to ISO 9001 and thus guarantees that all products delivered to the market are in full conformity with the technical documentation and with all fundamental requirements to such products.

Certificate No. 44 100 940602 issued by TÜV CERT, Certification Body at TÜV NORD CERT GmbH.

The certificate is issued for the customer: **AUXILAB S.L.**

Sázava, 14. 03. 2023

.....
Place and date of issue

Ing. Kristýna Machová

.....
Project Quality Engineer

KAVALIERGLASS, a.s.
Křížová 1018/6, 150 00 Praha 5
office: Sklářská 359, 285 06 Sázava
Czech Republic
IČ: 474 68 815
-61-