

INTRO DENTAL UNIT MANUAL



SINCE 1982

www.dispomed.com

TABLE OF CONTENTS



User Responsibility	3
Standard and Optional Features	4
Receiving, Assembly, and Start-up	5 -9
Water adjustments	10
Handpieces adjustments	10
Unit Controls Details.	11
Compressor Controls Details.	12
Unit Daily Maintenance Procedure	13-15
Handpieces Daily Maintenance Procedure	14
Annual Maintenance.	15
Consumable Materials List.	16
Replacement Parts Number	17-8
Warranty.	19
Contact	19-20

USER RESPONSIBILITY



Read this manual before operating the equipment. Pay special attention to all Warnings and Cautions.

This product will perform in conformity with the description contained in this operating manual when assembled, operated, maintained, and repaired in accordance with the instructions provided. This product must be periodically checked. A defective product should not be used. Parts that are broken, missing, plainly worn, distorted, or contaminated should be replaced immediately. Should such repair or replacement become necessary, Dispomed recommends that telephone or written requests for service be made to the nearest Dispomed regional service center.

This product or any of its parts should not be repaired other than in accordance with written instructions provided by Dispomed and by Dispomed trained personnel. The product must not be altered without the prior written approval of Dispomed. The user of this product shall have the sole responsibility for any malfunction which results from improper use, faulty maintenance, improper repairs, damage, or alteration by anyone other than a qualified Dispomed technician.

Caution: This device is intended for use by veterinarians who are thoroughly familiar with the use of such products. Do not attempt to use this product if you have not previously been trained on the use of dental delivery units.

THE HIGHDENT INTRO DENTAL UNIT



Standard features include

- Air/water syringe
- 1 water bottle
- Handpiece guards
- Instrument platter

Product dimensions

- Length: 43.2 cm (17")
- Width: 52.1 cm (20.5")
- Min. height: 79 cm (31")
- Max. height: 101 cm (40.5")
- Weight: 44.9 kg (99 lb)

Optional features include

- Grey + colour options
- NSK Autoclavable Piezo scaler
- Water on Low speed
- Wall-mount
- High-speed handpiece
- Low-speed handpiece

Specifications

110V with Oil Model:

- Amps: 7 A
- Power source: 110–120V AC

230V with Oil Model:

- Amps: 3.9 A
- Power source: 220–240V AC

All Models:

- Operating frequency: 50/60Hz
- Operating temperature range: 15°C to 30°C
- CE IEC60601-1
- Maximum weight supported by the shelf: 13.6 kg (30 lbs)



RECEIVING, ASSEMBLY AND START-UP INSTRUCTIONS



Your Highdent dental unit requires some assembly before being used.

Receiving

To keep the possibility of damage during shipment to a minimum, the Highdent Intro unit requires some assembly. All accessories are included in a bag and or small box within the shipping crate.

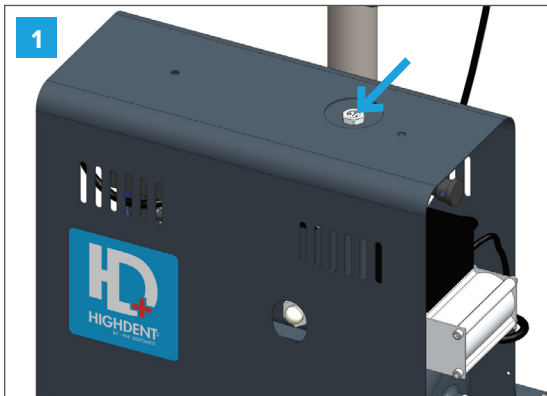
Instructions

Upon receipt and unpacking, inspect both the shipping container and all of the enclosed components for signs of damage that may have occurred during transit.

Check your materials list to ensure that all the necessary components are included.

Caution: To avoid injury while removing the unit from the box always have another person assist you.

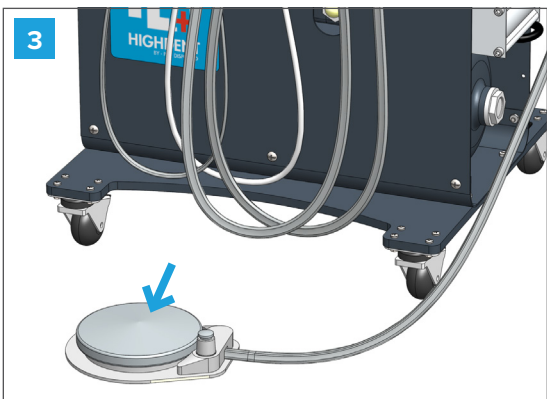
RECEIVING, ASSEMBLY AND START-UP INSTRUCTIONS



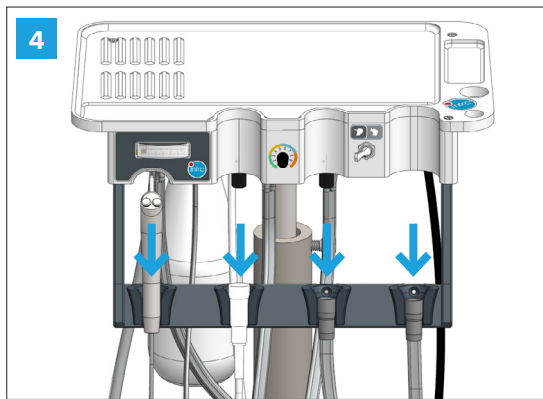
Caution add oil before use: pour 500 ml of oil and wait at least 15 minutes.



Check the level through the side glass should be close to half when the compressor is not running. **Do not fill more than half. Use only compressor oil. Check and maintain the level monthly.**

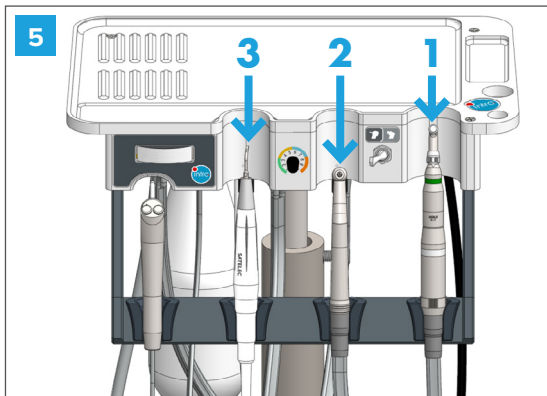


Carefully open accessories bag and place pedal on the floor.



Install handpiece tubes to holders starting from the right and following the order in which they are connected to the bottom of the unit.

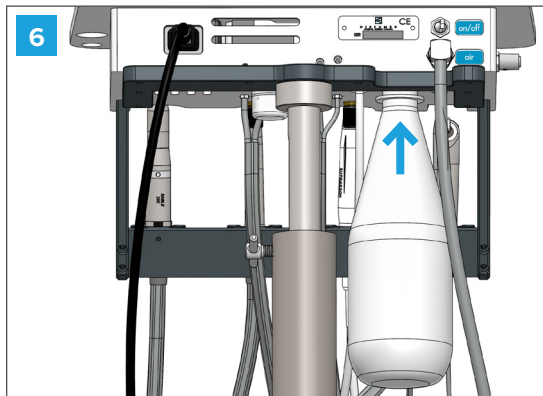
RECEIVING, ASSEMBLY AND START-UP INSTRUCTIONS



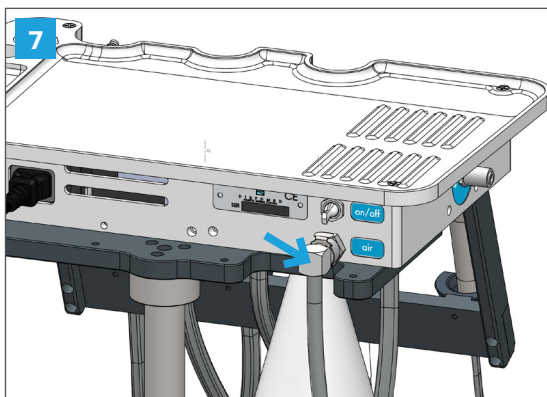
Install handpieces from right to left:

1. Low-speed handpiece.
2. High-speed handpiece.
3. Piezo

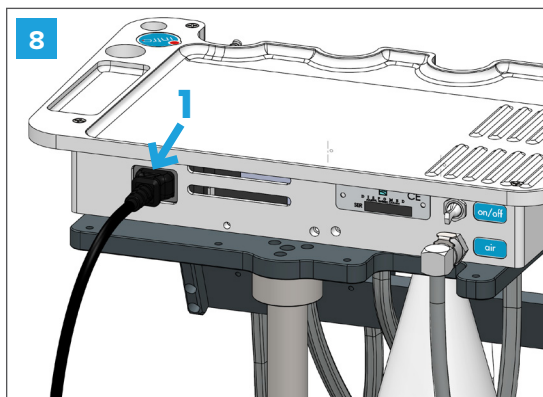
Caution: Never run the handpiece without a tip or bur.



Unscrew the bottle under the head of the unit. Fill them with distilled water and reinstall the bottles by inserting drive tube and screwing into place.

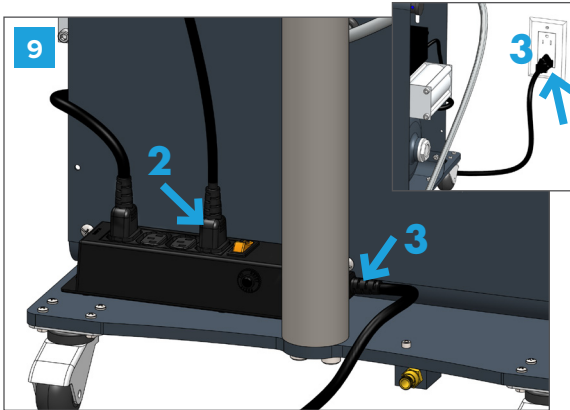


Connect the air pressure line to air connectors behind the head assembly.



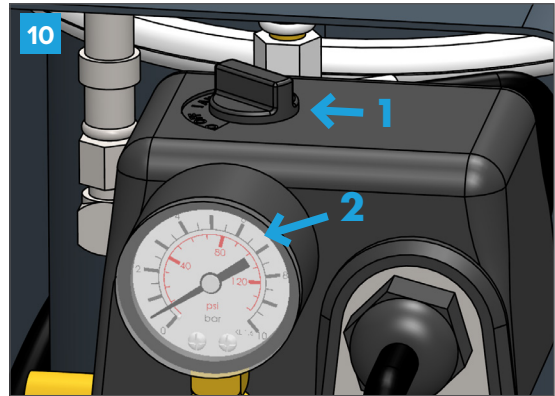
1. Connect the power line on the back of the head assembly to the terminal strip on the compressor.

RECEIVING, ASSEMBLY AND START-UP INSTRUCTIONS



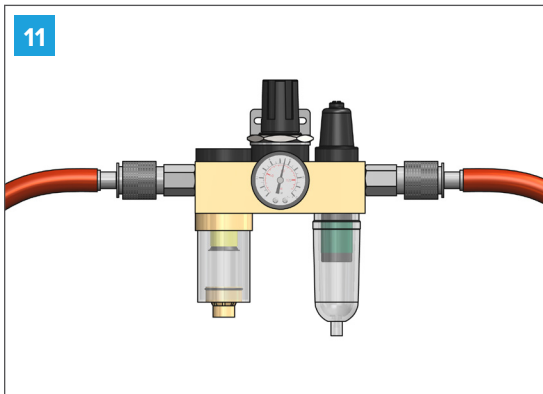
2. Connect the other end of the power line from the head assembly.

3. Connect the power cord from the bottom of the terminal strip to the appropriate electrical outlet.

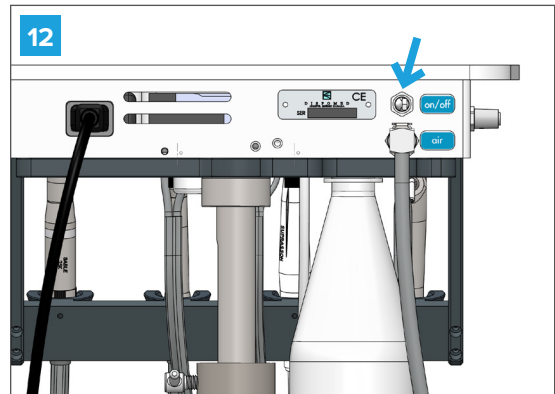


1. Turn the compressor on. (The switch is near the pressure gauge at the back of the compressor.)

2. The gauge should indicate between 80 psi (5.5 bars) and 120 psi (8.3 bars) once the compressor has stopped.

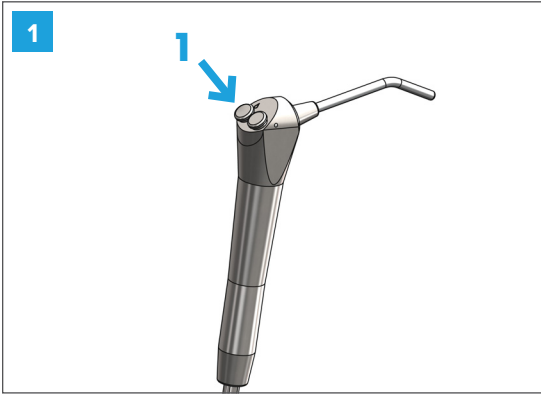


If using another air source, check for a supply pressure of approximately 80 psi (5.5 bars) at the air source.



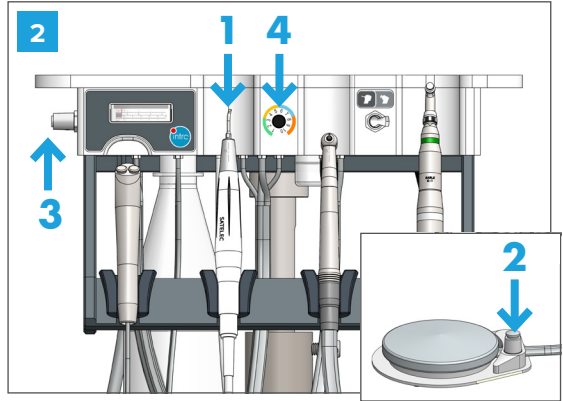
Turn the water valve ON.

RECEIVING, ASSEMBLY AND START-UP INSTRUCTIONS



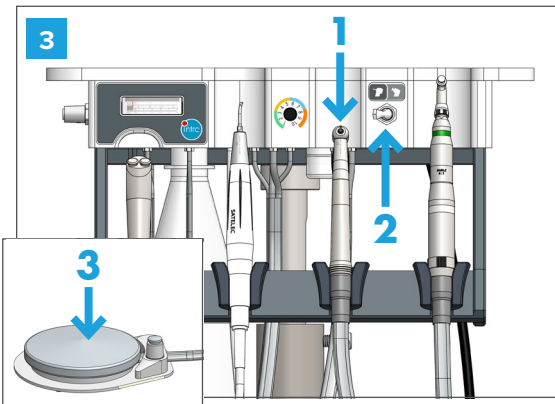
Test the syringe by pressing the air button, then the water button, and both simultaneously for mist.

1. To sterilize the tip pulls it out of the syringe.

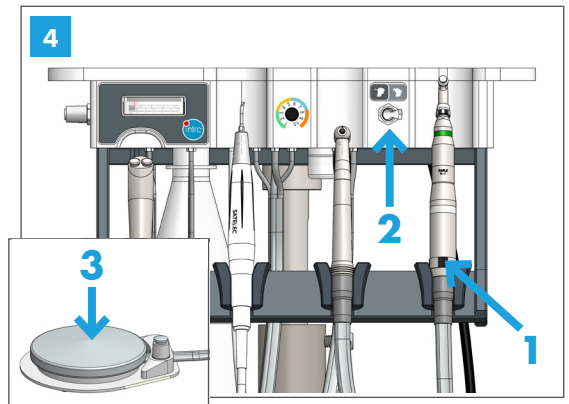


1. Remove Piezo from the holder.
2. Press the smaller button on the pedal. Check for proper operation.
3. Adjust water flow to the desired level.
4. Adjust power according to the tip being used. See Tip guide.
5. Replace the handpiece in the holder.

Note: Tips supplied in the starter kit are all for operation in the blue band.

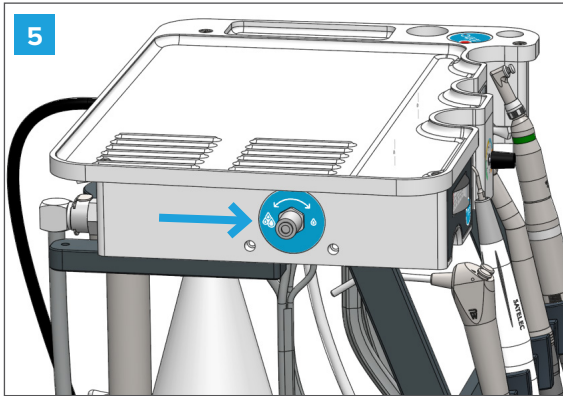


1. Remove the high-speed handpiece from the holder.
2. Position the handpiece selector at high speed.
3. Depress pedal.



1. Remove the low-speed handpiece from the holder.
2. Position the handpiece selector at low speed.
3. Depress pedal.

WATER ADJUSTMENTS



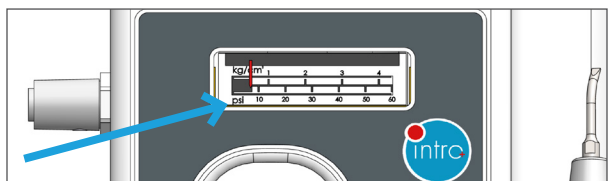
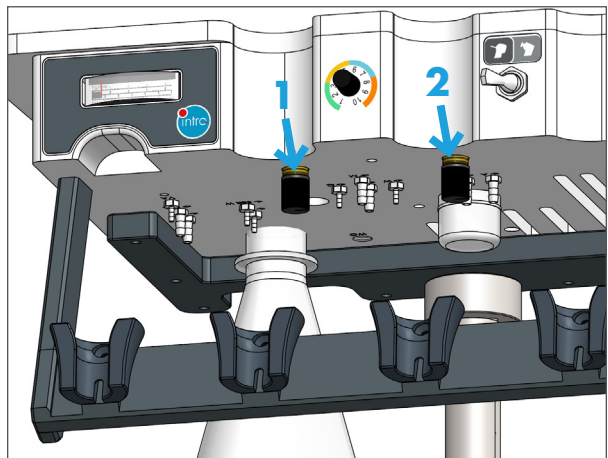
Use the indicated switch to adjust the water on the high-speed handpiece and the Piezo.

HANDPIECES ADJUSTMENTS

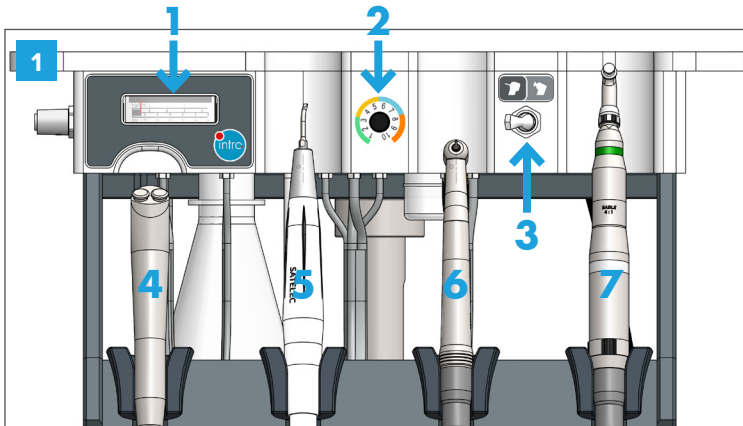
Adjust handpiece pressure according to the manufacturers' specifications.

1. High-speed handpiece pressure adjustment (42 psi).
2. Low-speed handpiece pressure adjustment (32 psi).

Recommendations: We suggest replacing the burs before every dentistry procedure, as burs are single-use only. Thus, prevent any handpiece breakage resulting from excessive pressure while using your handpiece due to a blunt bur.

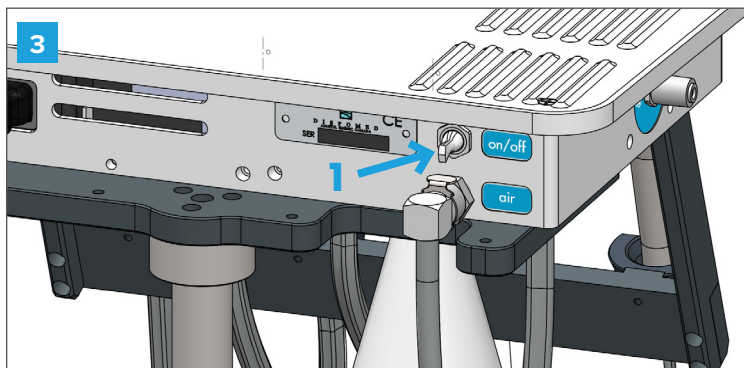
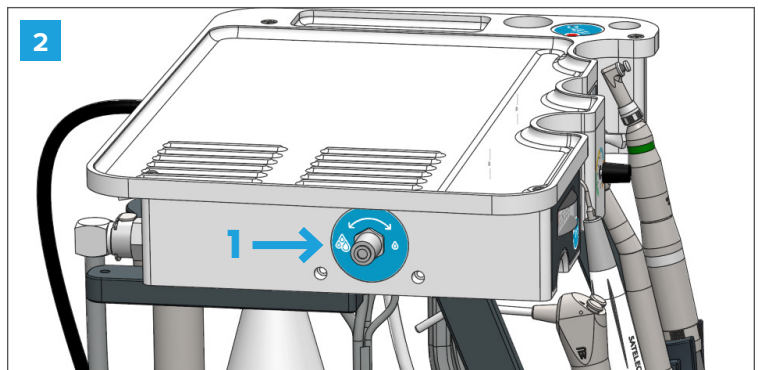


UNIT CONTROLS DETAILS



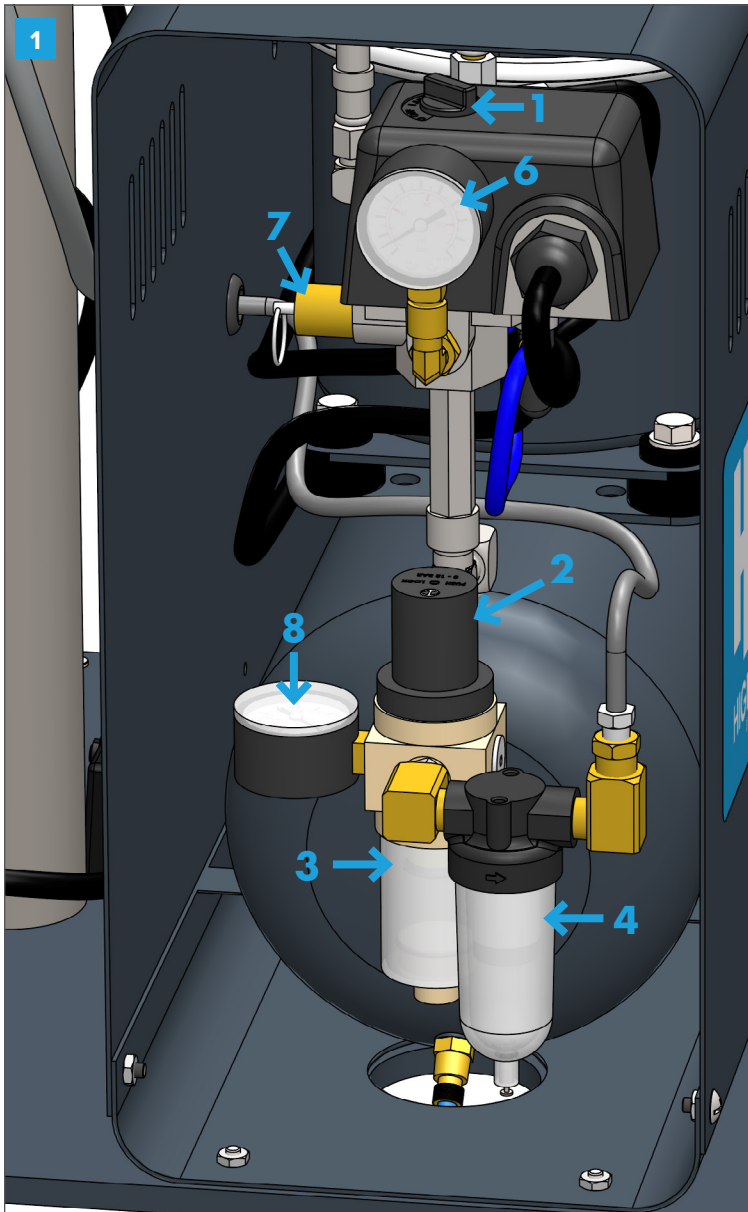
1. Handpiece pressure gauge.
2. Piezo power adjustment.
3. Handpiece selection.
4. Air/water syringe.
5. Piezo scalers (for detailed instruction on the piezo handpiece refer to the operation manual supplied with the piezo).
6. High-speed handpiece.
7. Low-speed handpiece.

1. High-speed handpiece and Piezo water adjustment.

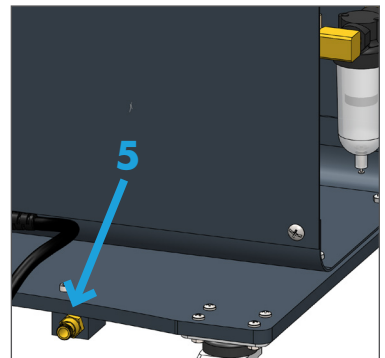


1. Water ON/OFF.

COMPRESSOR CONTROLS DETAILS



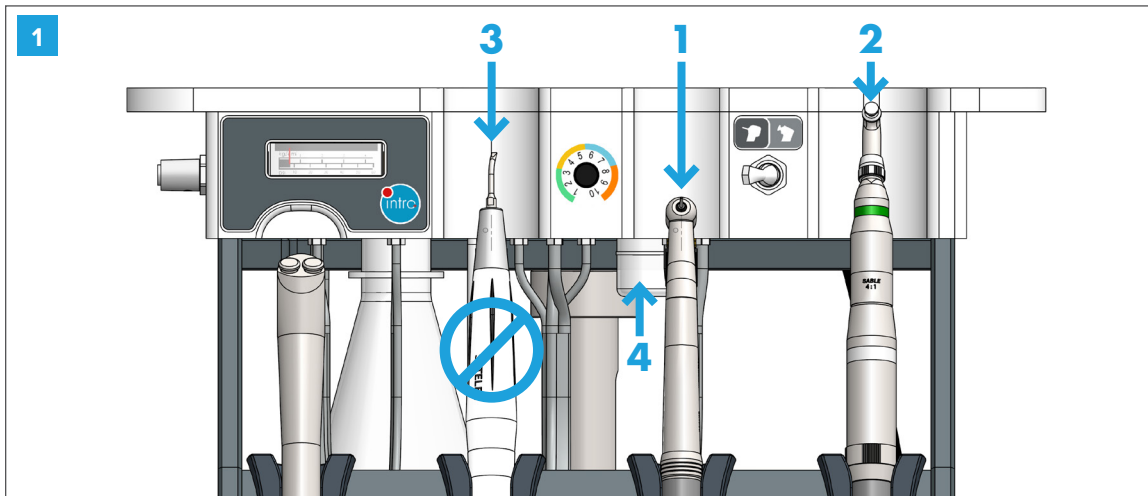
1. Auto / off.
2. Regulator Adjustment.
3. Moisture Trap.
4. Oil Filter.
5. Compressor drain.
6. Compressor Pressure gauge.
7. Over-pressure valve.
8. Delivery pressure gauge (80 psi / 5.5bar).



UNIT DAILY MAINTENANCE PROCEDURE



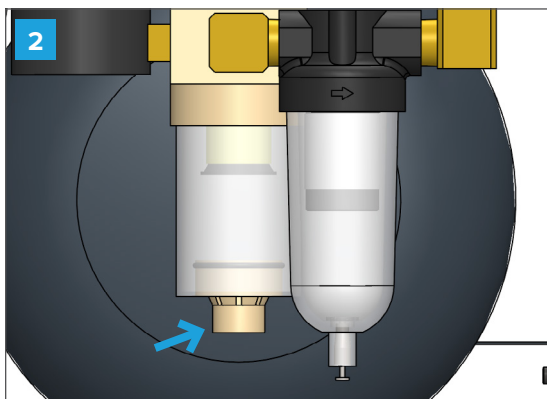
A properly maintained machine reduces air consumption and extends the lifetime unit.
Prerequisites: Air supply : 5.5 bars (75 to 85 P.S.I) – Electrical : 230 vac.



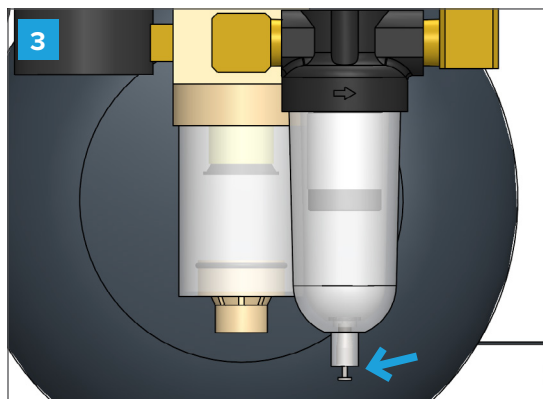
1. Lubricate* high-speed handpiece.
2. Lubricate* low-speed handpiece.
3. Never lubricate the Piezo.

4. Remove and clean the jar if you notice any oil buildup.

*See page 14 for lubrication instructions for high- and low-speed handpieces.

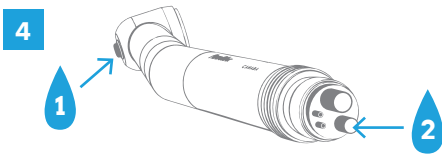


Empty the humidity filter by opening the drain at the bottom. Use a cloth to avoid getting wet.



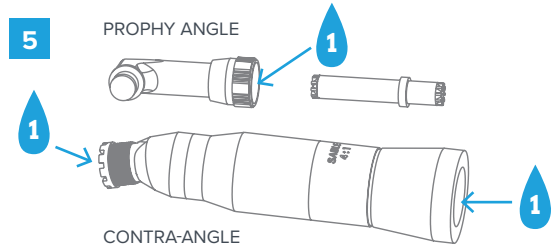
Empty the oil filter by pushing the valve at the bottom. Use a cloth to avoid getting wet.

HANDPIECES DAILY MAINTENANCE PROCEDURE



HIGH-SPEED HANDPIECE

1. Drops of oil here; daily.
2. Drops of oil here; before and after autoclaving cycle (or according to manufacture). Lubricate the high-speed handpieces daily on the smaller of the two large holes.
3. Oil after every 15 minutes of use.
4. Do not leave levers open.
5. Daily lubricate chuck.



LOW-SPEED HANDPIECE

1. Drops of oil at these places – each use.
2. The low-speed handpiece can be broken down into three parts. Disassemble the three parts;
3. Lubricate both ends of the contra-angle.
4. Lubricate the prophy angle.
5. Re-assemble the handpiece.

FOR BOTH HIGH-SPEED AND LOW-SPEED HANDPIECES LUBRICATION



For drop oil, with the bur inserted (for the high-speed), place lubricant (2-3 drops) into the air intake, run and purge the unit for 20 seconds, or until all excess oil is expelled.



For aerosol oil, with the bur inserted (for the high-speed), spray lubricant for 1 second into the air intake and run on purge units for 20 seconds, or until all excess oil is expelled.

If expelled oil is coloured, repeat the lubrication process until expelled oil is clear.

SEE THE DIFFERENCE between a properly lubricated turbine vs a turbine with a lack of lubrication.



Turbine properly lubricates

VS

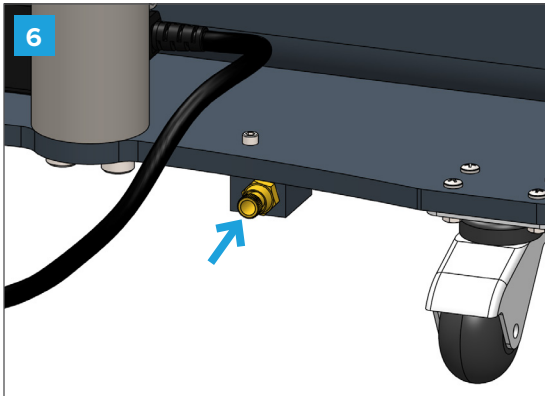


Turbine improperly lubricates

TIPS TO OPTIMIZE THE LIFESPAN OF BOTH HIGH- AND LOW-SPEED HANDPIECES

- + Remove the burs and other attachments (never sterilize with attachment).
- + Lever-operated chucks must be closed.
- + Never cool a hot handpiece under cold water or by placing it in a refrigerator.
- + Allow drying cycle to complete before removing handpiece from the autoclave to ensure that all moisture has been removed.
- + Make sure the handpiece is completely cool and dry before operating.
- + Have autoclave units regularly serviced by a manufacturer's representative.
- + Do not cheat the bur this will damage the chuck.
- + Do not use pliers to remove burs.
- + Use a proper oil adaptor for your aerosol can.
- + Set air pressure according to manufacture usually between 30-40 psi).

UNIT DAILY MAINTENANCE PROCEDURE



Unplug your compressor at the end of the day and drain all pressure by loosening the hand-tight nut* below the air reservoir. This will also eliminate condensation and prolong the life of the reservoir. **DON'T FORGET** to tighten the hand-tight nut before starting your day. *Don't unscrew completely to prevent the parts from falling.



If the oil level is less than half, fill the reservoir slowly by pouring a small quantity of oil at a time. Wait 5 minutes and check the level.

Do not fill more than half. Use only compressor oil to fill.

ANNUAL MAINTENANCE

Annual preventive maintenance is recommended. The maintenance consists of replacing all filter elements, changing the oil in the compressor, checking for leaks, resetting pressures, and completing performance analysis. Contact your Highdent supplier for further details.

Maintenance kit

Humidity filter: 260-C01642

Air filter: 260-C0011

Oil filter: 260-C0164N7

Compressor oil: 260-15280

Handpiece lubricant 118 ml (4oz): 260-0200-700

Handpiece aerosol lubricant 500 ml:
260-5013636U

O'ring for side glass : 260-C03581

O'ring T012, PTFE 3/8 x 1/2: 845-T012

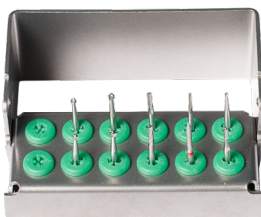


Listen for unusual compressor start-ups. If the compressor starts occasionally when not being used, it is a sign that there is a leak in the system. If this situation is frequent contact the manufacturer for assistance.

CONSUMABLE MATERIALS LIST



BURS SET



Canine bur set:
[260-BURKIT02](#)

Feline bur set:
[260-BURKIT03](#)

PROPHY



Prophy cups: # [260-PCUP100](#)

Prophy paste 200 per box:
[260-5013-345U0](#)

PIEZO SCALING TIPS



No.1 Universal:
[260-0100-246](#)

No.10Z Sub-gingival Tip:
[260-0100-251](#)

HANDPIECE LUBRICANT OIL



Contains 118ml / 4 oz:
[260-0200-700](#)

HIGHIDENT COMPRESSOR OIL



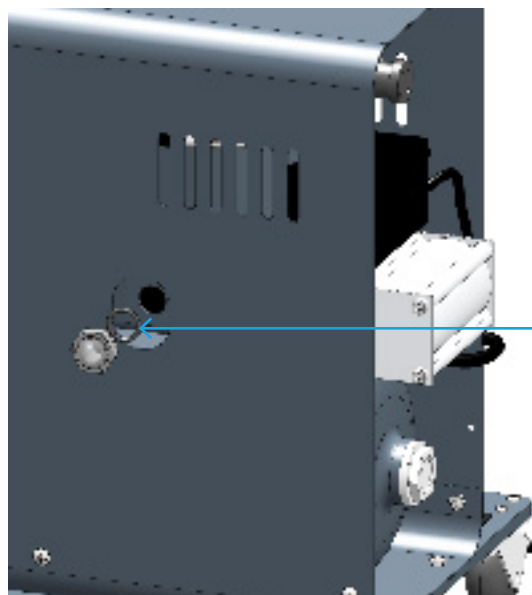
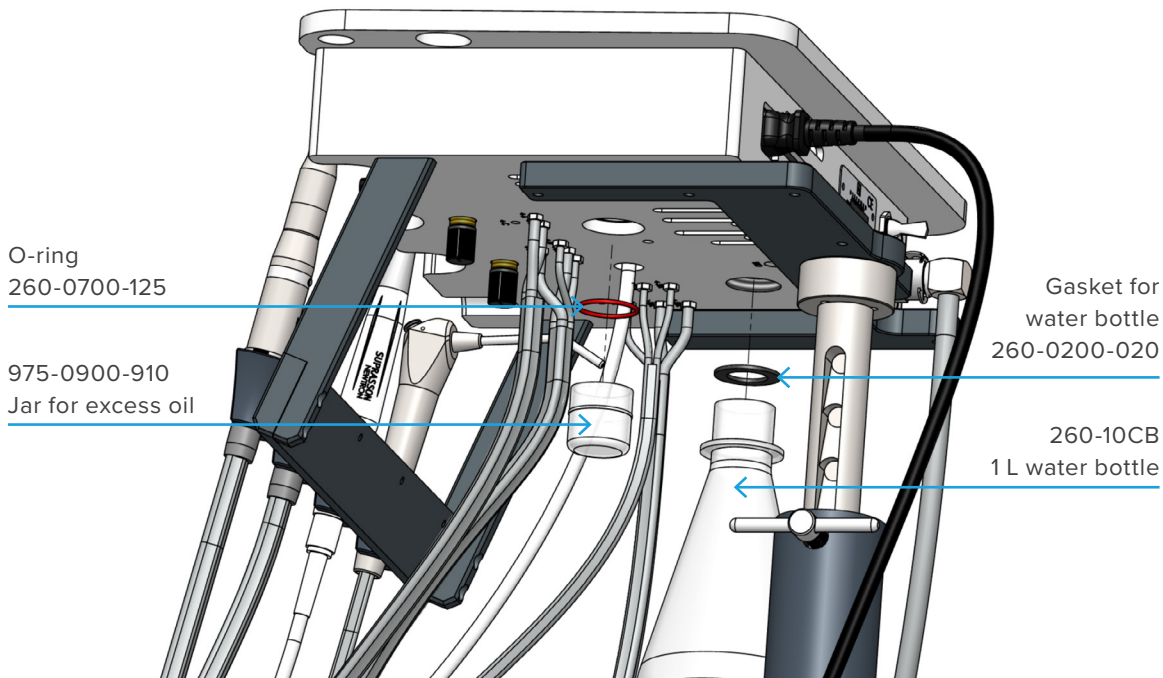
Contains 700ml / 24 oz:
[260-15280](#)

DENTAL INSTRUMENTS KITS

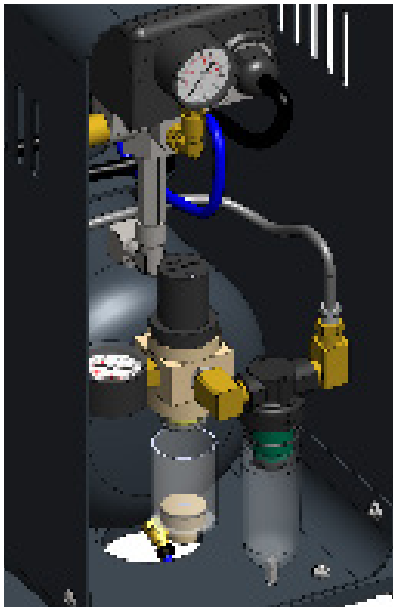


[Dental Extraction Kits](#)
[Elevator Dental Kits](#)
[GV Dental Kits](#)
[Luxating Elevator Dental Kits](#)
[Luxating Winged Elevator Dental Kits](#)
[Periodontal Dental Kits](#)
[Rabbit Dental Kits](#)
[Winged Elevator Dental Kits](#)

REPLACEMENT PART NUMBERS



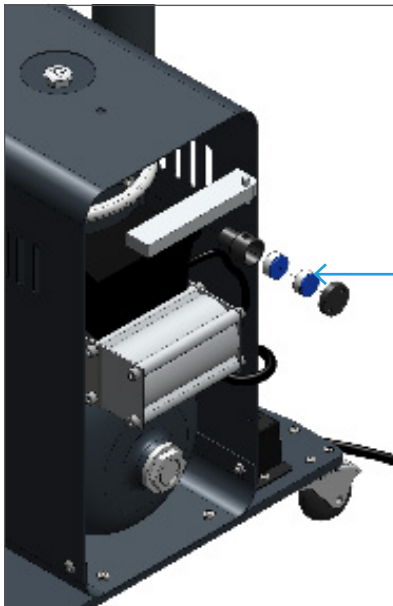
REPLACEMENT PART NUMBERS



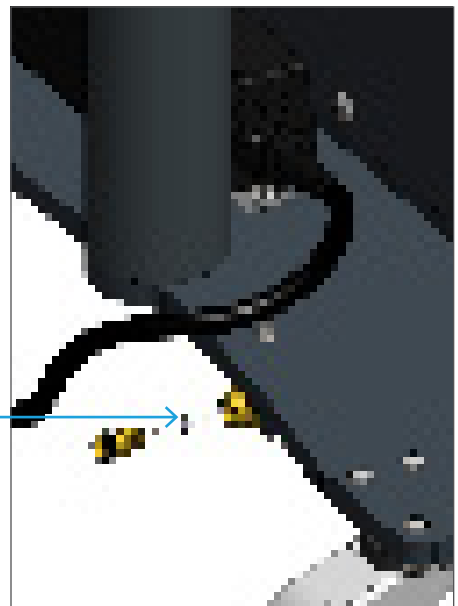
260-C01642
Moisture trap



260-C0164N7
Oil filter



260-C0011
Air filter



845-T012
O'ring T012,
PTFE 3/8 x 1/2

HIGHDENT WARRANTY



Dispomed Ltd. guarantees that Highdent dental units are free from manufacturing defects for five (5) years and handpieces for one (1) year from the date of delivery to the customer, provided that they are used according to instructions and that the prescribed maintenance and service are performed.

Dispomed Ltd. shall not be liable for any damage, injury, or loss arising out of the use of the product, whether as a result of a defect in the product or otherwise, if, before such damage, injury or loss, the product was:

- Damaged, misused, or misapplied;
- Repaired, altered, or modified by a person other than Dispomed Ltd. or a Dispomed approved service technician;
- Not installed in strict compliance with applicable codes and ordinances.

Dispomed Ltd. only guarantees that plastic, rubber, and disposable items parts and items shall be free from defects at the date of delivery to the customer.

Any product which proves to be defective in workmanship or material will, at Dispomed's discretion, either be repaired or replaced. Dispomed Ltd. is not responsible for

deterioration, wear, or abuse. This warranty shall be void for any product on which the serial number has been altered, defaced, or removed.

Freight charges to ship the replacement or repaired merchandise to the customer will be paid by the customer. Loaner units may be available if your unit requires repairs.

Service & information center

Dispomed Ltd. is proud to offer its customers an online or telephone service to answer questions or concerns regarding its products.

Contact us:

T: 1 800 363-1746

T: 450 759-9395

F: 450 759-8181

Email: info@dispomed.com

Website: www.dispomed.com

Facebook: www.facebook.com/dispomed



Manufactured by Dispomed Ltd



D I S P O M E D

Thanks for purchasing a Dispomed product.

For further assistance, contact customer support.

745 Nazaire-Laurin Joliette (QC) Canada J6E 0L6

T: 1-800-363-1746 (Canada and U.S.A only)

T: 1-450-759-9395

Fax: 1-450-759-8181

info@dispomed.com

www.dispomed.com

PRINTED IN CANADA

