

Manufactured O.E.M



## Poupinel dry heat sterilizer "Drytime II"

ADJUSTABLE TEMPERATURES FROM 50 °C UP TO 200 °C.  
STABILITY: ±6 °C.

NEW DESIGN

### APPLICATIONS

For quick surgical sterilization of diverse instruments surgical odontological, etc.

### FEATURES

Heating by shielded elements in the base which provide a rapid temperature rise.  
Flap door.  
Inner chamber in AISI 304 stainless steel.  
Removable tank with extraction clamps.  
Epoxy-coated outer casing.

### SAFETY

Over temperature cut out incorporated. EN.61010 Standard.

### CONTROL PANEL

Mains switch.  
Mains indicator lamp.  
Hydraulic thermostat for temperature control.  
Timer 0 to 120 min. with automatic off.



### MODEL

Part No.	Capacity litres	Height / Width / Depth (interior) cm	Height / Width / Depth (exterior) cm	Power W	Weight Kg
2000912	1,5	6,5 25 12	15 31 20	300	4



## Poupinel dry heat sterilizer "Dryterm"

ADJUSTABLE TEMPERATURES FROM 60 °C UP TO 250 °C.  
STABILITY: ±10 °C.

### APPLICATIONS

For surgical sterilization of diverse instruments surgical odontological, etc.

### FEATURES

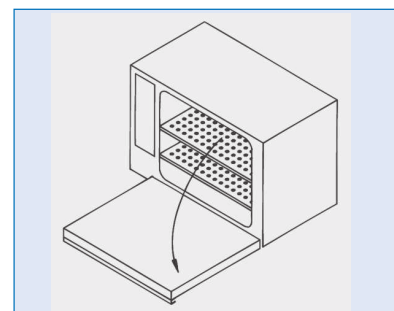
Heating by shielded elements in the base that provides a rapid rise in temperature.  
Flap door.  
Inner chamber made of AISI 304 stainless steel, complete with a heater cover, three shelf runners and two perforated shelves 10 mm high.  
Epoxy-coated outer casing.

### SAFETY

Over temperature cut out incorporated. EN.61010 Standard.

### CONTROL PANEL

Hydraulic thermostat temperature control.  
Locking device for thermostat knob.  
Timer 0 to 120 min. with automatic switch off.  
Heater "ON" indicator.  
Analogue temperature reading thermometer.



### MODEL

Part No.	Capacity litres	Height / Width / Depth (interior) cm	Height / Width / Depth (exterior) cm	Power W	Weight Kg
2000787	19	25 32 23	37 54 34	770	19