

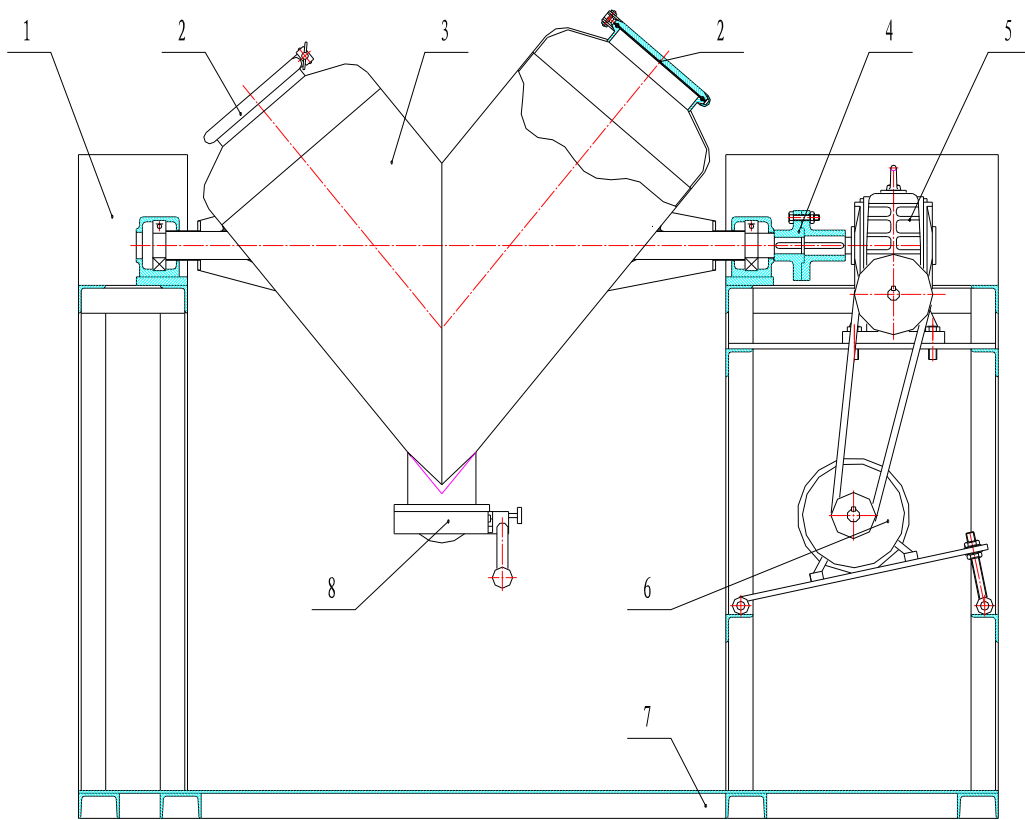


USER MANUAL

SOLID MIXER VS-50

5810102

Schematic diagram



1、 Framework cover 2、 Feed inlet 3、 Mixing cylinder 4、 Coupling

5、 Reduction gears 6、 Motor 7、 Base 8、 Outlet

Main structural feature

This equipment adopts manual feed and the sealed Butterfly valve discharging structure, it could be operated without dust. At the same time, material is mixed without mechanical extrusion and strong friction, can keep the material particles are intact. The mixing cylinder is made of stainless steel, the mixed material without any pollution. In addition, the machine is also equipped with a timer, can control the mixing time of materials.

Technical data

Full capacity:	50L
Standard Load:	13Kg
Maximum load:	15Kg
Cylinder body diameter:	φ304mm
Inlet diameter:	φ150mm
Outlet diameter:	φ80mm
Cylinder body rotate speed:	20r/min

Power: 0.75Kw

Dimension: 1350×450×1160mm

Working Principle

The cylinder rotate is driven by retarding mechanism, utilizing inequality of two different length cylindrical drums, forming the asymmetry to proceed mixture. When mixing machine working, the material is from the decomposition to combination. Because of the different potential energy, creates a transverse force to push forward the material proceeding lateral exchange. When the material is from the combination to decomposition, due to the difference of material plane, creates a transverse force and promote horizontal exchange of materials. Cylinder rotates one circle, make about 25% of the material flow from one cylinder to another one; at the same time, Cylinder rotate produces radial flow of material. In this way, the material alternates between combination and decomposition in radial and transverse direction, make the material to achieve the well-distributed effect

Operation and Maintenance

When the machine is in operation and maintenance, should pay attention to the following items:

- 1、 Plug in the power supply first, and then start switch, the machine is started.
- 2、 After material mixed well, if the discharging outlet is not in desired location, then please conduct inching function until the discharging outlet is adjusted in the location you needed
- 3、 Please check the electric equipment before starting and check whether the cover of mixing cylinder is tightened
- 4、 Clean the machine after work, especially inside the cylinder, to prevent material residues.
- 5、 Pay attention to reduction gears and add enough the lubricating oil (generally use 30 # machine oil), add grease on transmission chain.
- 6、 Maintenance is required after using six months, replacing lubricating oil of Reduction gears, check electrical aging, aging electrical appliances must be replaced
- 7、 Use a year or a long period of time, the machine should have full

maintenance service, check the various parts of the machine clearance,
appropriate adjustments, make the machine in good condition

Circuit diagram

