

BALANZAS MONOPLATO DE 3 VIGAS MECHANICAL BEAM BALANCES

Modelo | Model | KBQ007



Este manual es parte inseparable del aparato por lo que debe estar disponible a todos los usuarios del equipo. Le recomendamos leer atentamente el presente manual y seguir rigurosamente los procedimientos de uso para obtener las máximas prestaciones y una mayor duración del mismo.

This manual should be available for all users of these equipments. To get the best results and a higher duration of this equipment it is advisable to read carefully this manual and follow the processes of use.

LANGUAGE INDEX

Spanish	1-6
English	7-11

Thanks for choosing a NAHITA Balance, its high mechanical quality will allow you to make use of this equipment for a long time, nevertheless to get the best results and a higher duration of this instrument it is advisable to read carefully this manual and follow the processes of use.

Nahita develops its products according to the CE marking regulations as well as emphasizing the ergonomics and security for its user.

TO GET THE BEST RESULTS AND A HIGHER DURATION OF THE EQUIPMENT IT IS ADVISABLE TO READ THOROUGHLY THIS MANUAL BEFORE OPERATING WITH THE EQUIPMENT.

In order to use this equipment, it is advisable to take into account the following points:

- This manual is an integral part of the balance NAHITA and must be available to all users of this equipment.
- As it is a precision instrument, it should be handled carefully avoiding sudden movements and knocks.
- Never dismantle the different pieces of the balance to repair them yourself. It could lead to a faulty performance of the equipment.
- Any doubts can be clarified by contacting the NAHITA Technical Service by e-mail: asistencia@auxilab.es
- Manufacturer reserves the right to modify or improve the manual or equipment.



ATTENTION !!

IF AN EQUIPMENT IS NOT PROPERLY CLEAN AND DISINFECTED, IT WOULD NOT BE ALLOWED TO REPAIR BY OUR TECHNICAL SERVICE.

TABLE OF CONTENTS

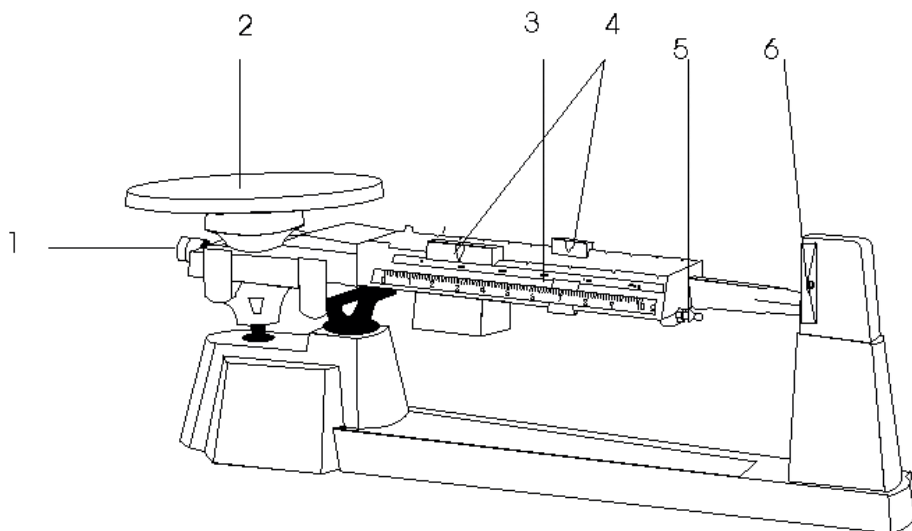
1. Applications	8
2. Description technical specifications	8
3. Technical specifications	9
4. Installation / outfit	9
5. Instructions	10
6. Maintenance	10
Anex I: Warranty	
Anex II: Standard Configuration	

1. APPLICATIONS

NAHITA practical and comfortable balances enables a fast weighing and a direct reading. This model is of one single pan, and it is composed of jockey weights on the beams or arms, and additional weights.

It is especially designed to be used in teaching (physics and chemistry) as well as in chemical or pharmaceutical laboratories, and in those in companies.

2. DESCRIPTION TECHNICAL SPECIFICATIONS



Picture 1

Figure 1 illustrates:

1. Screw of adjustment
2. Pan
3. Beams
4. Jockey weights
5. Support for additional weights
6. Indicator

3. TECHNICAL SPECIFICATIONS

Features	
Capacity	2610 gr. with additional weights. 610 gr. without additional weights.
Sensibility	0.1 gr. 1 ^a viga: 10 gr. divided each 0.1 gr. 2 ^a viga: 500 gr. divided each 100 gr. 3 ^a viga: 100 gr. divided each 10 gr.
Pan 's diameter	150 mm.
Dimensions	49x18x29 cm.
Weight	2.8 kg.

- Additional weights:
 - 2 de 295 g. that increased 1000 gr.
 - 1 de 147.5 g. that increases 500 gr.
- Magnetic damping.
- Agate bearings
- Steel blades.
- Stainless steel pan.
- Special support for additional weights.

4. INSTALLATION / OUTFIT

Place the balance on a flat and solid surface, free of vibrations.

Move the jockey weights to the left so they are on the holes that in "0".

The indicator must coincide with the mark on the right of the balance. Turn the screw of adjustment (1 pic. 1) in the leveling staff in the left extreme of the arm. This adjustment must be periodically done, as necessary.

5. INSTRUCTIONS

Put the object to be weighted the closer you can to the middle of the pan. You should first move the weight of more capacity (central beam, 500 g.) to the right until the indicator moves down. If it doesn't do like this, use the additional weights placing the one you need on the weights' support (5 pic. 1). Once the balance moves down, move the weight back one position to the left.

Repeat the procedure with the rest of the beams as a decreasing order, what means :

1st beam that of 500 gr.

2nd beam 100 gr.

3rd beam 10 gr.

The last beam's weight is to be slid up to the position that makes coincide the indicator and mark "0" on the right of the balance.

Object's weight is the sum of jockey weight's position values.

You should never put a weight over the maximum capacity of the balance: 2610 gr.

6. MAINTENANCE

Keep the balance clean and in good state. To have it cleaned, use a smooth gauze in a soapy solution. In the case of not accessible items, use a syringe or a dispositive blowing compressed air

Never pour oil or lubricant on the blades or bearings. Try avoiding dust or any other substance.

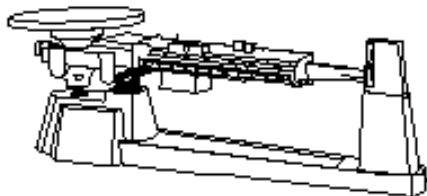
Don't through the package away, you can keep in away in case you move it or stop using it for a long time in future, or even to send it if it needs being repaired.

We sincerely wish you enjoy your NAHITA balance. We advise you take care of it as the previous instructions.

These balances are accurate instruments, so they must be properly, gently and carefully used.

Do not forget filling in and sending the warranty certificate in the following 15 days from purchase, to have your balance under one year warranty.

In case the balance is damaged, contact your distributor to have it repaired by the technical service.

STANDARD CONFIGURATION

Single pan balanza of three beams

QUANTITY	DESCRIPTION
1	Base.
2	Weights: - 2 of 295 gr. That magnify 1000 gr - 1 de 147,5 gr. That magnifies 500 gr
	Instructions manual and warranty certificate.
	Package : board box and poliespan foam.

According to the in force legislation regarding “Non-automatic weighing instruments” in which balances are included, by means of writ dating from 22nd October, 1994 (BOE 3/1/95), these balances must not be used for:

- Comercial Transactions.
- Calculating taxes, tariffs, rates, indemnities and othe similar canons.
- Judicial surveys.
- Pharmaceutical medicine preparations, as well as analisis made in medical or pharmaceutical laboratories.
- Determining the price or total amount in sale price or in prepackaged preparations.

Instructions on environment protection

At the end of its life cycle, please, does not dispose of this equipment by throwing it in the usual garbage; hand it over a collection point for the recycling of electrical and electronic appliances. It does not contain dangerous or toxic products for humans but a non adequate disposal would damage the environment.

The materials are recyclable as mentioned in its marking. By recycling material or by other forms of re-utilization of old appliances, you are making an important contribution to protect our environment. Please inquire at the community administration for the authorized disposal location.