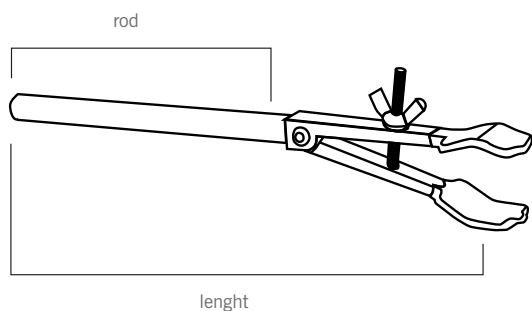




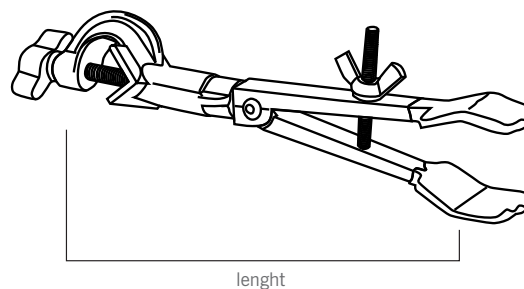
## Laboratory clamps

Laboratory clamps are a wide variety of products used for holding beakers, burettes, thermometers, condensers, etc., in laboratory assemblies, or for an easy and safe handling of recipients that have been heated at high temperatures or that contain dangerous reagents such as assay tubes, crucibles, evaporating dishes or beakers. Please consult our wide offer of laboratory clamps to find the model that best suits your necessities.

Measurements of the clamps without bosshead



Measurements of the clamps with bosshead



CODE: FCG009



CODE: FCG010

### Automatic clamps

#### FCG009, FCG010

Made of chromeplated metal, they are especially suited for holding burettes and thermometers. With a spring shutter to hold diameters up to 25 mm. The model with bosshead is provided with a rotary bosshead for rods up to 18 mm diameter.

Code	Opening	Length	Bosshead	Rod (L×Ø)
FCG009	0-25 mm	110 mm	Rotary	-
FCG010	0-25 mm	160 mm	No	8x125 mm



CODE: FCJ012



CODE: FCJ013



CODE: FCJ014



CODE: FCJ015



CODE: FCJ016\_017



CODE: FCJ019

### Clamps with 4 prongs

#### FCJ012, FCJ013, FCJ014, FCJ015, FCJ016, FCJ017, FCJ019

Made of chrome-plated metal. The tips are covered with cork or PVC to prevent damage. Models with a boss feature a rotating clamp for rods up to 18 mm in diameter.

Code	Opening	Length	Bosshead	Rod (L×Ø)
FCJ012	0-80 mm	230 mm	No	8x155 mm
FCJ013	0-80 mm	250 mm	No	10x130 mm (adjustable angle 180°)
FCJ014	0-80 mm	230 mm	No	12x150 mm
FCJ015	0-80 mm	160 mm	Rotary	-
FCJ016	0-100 mm	215 mm	No	10x130 mm
FCJ017	0-100 mm	260 mm	No	12x180 mm
FCJ019	0-80 mm	160 mm	Rotary	-



## Clamps with 3 prongs

### FCJ001, FCJ002, FCJ004, FCJ005, FCJ006, FCJ007, FCJ008, FCJ009, FCJ010, FCJ011

Made of chromeplated metal with PVC-coated prongs. They are available models with a single adjustment or with double independent adjustment.

#### Without bosshead

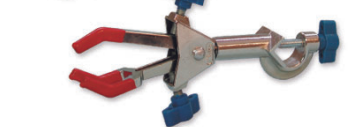
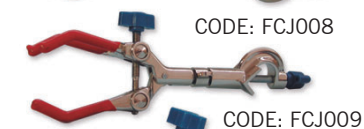
Code	Opening	Length	Adjustment	Rod (L×Ø)
FCJ001	0-30 mm	175 mm	Single	8x125 mm
FCJ002	0-70 mm	240 mm	Single	8x150 mm
FCJ004	0-70 mm	270 mm	Single	12x180 mm
FCJ005*	0-70 mm	240 mm	Single	8x150 mm
FCJ006	0-50 mm	200 mm	Double	10x130 mm
FCJ007	0-85 mm	240 mm	Double	12x150 mm

\* Plastic-coated metal

#### With bosshead

With rotary bosshead for rods up to 18 mm diameter.

Code	Opening	Length	Adjustment
FCJ008	0-30 mm	125 mm	Single
FCJ009	0-70 mm	165 mm	Single
FCJ010	0-60 mm	145 mm	Double
FCJ011	0-90 mm	170 mm	Double



## Double clamps for burettes

### FCG012 and FCG013

Automatic clamp for holding two burettes at the same time. They allow the visualization of the graduation all along the scale of the burette. With bosshead for rods up to 13 mm diameter and rubber covered prongs.

Code	Material	Colour	Rods	Prongs
FCG012	Aluminum	White	Up to 13 mm	Rubber
FCG013	Plastic	White	Up to 13 mm	Rubber

## Single clamp for burettes

### FCG011

Code	Material	Colour	Rods	Prongs
FCG011	Aluminum	White	Up to 18 mm	Rubber





## Burette clamps, PP

### FCG015 and FCG014

Code	Capacity	Rods
FCG015	1 buret	From 10 to 12 mm
FCG014	2 burets	From 10 to 12 mm



## Clamps with 2 prongs

### FCG001, FCG002, FCG003, FCG004, FCG005, FCG006, FCG007, FCG008

#### For burettes and tubes

Made of chromeplated metal with PVC-covered prongs (except cod. FCG005).

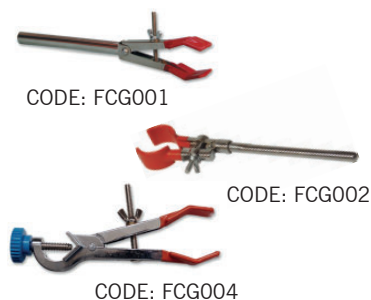
Code	Opening	Length	Bosshead
FCG003	7-25 mm	205 mm	No (rods 10x130 mm)
FCG005*	4-20 mm	100 mm	Fixed, up to 14 mm Ø
FCG006	7-25 mm	100 mm	Fixed, up to 14 mm Ø
FCG008	7-25 mm	150 mm	Rotary, up to 18 mm Ø

\* Three-fingered clamps

#### For burettes and condensers

Made of chromeplated metal with PVC-covered prongs.

Code	Opening	Length	Bosshead
FCG001	12-45 mm	210 mm	No (rod 10x130 mm)
FCG002	20-60 mm	240 mm	No (rod 10x155 mm)
FCG004	12-45 mm	110 mm	Fixed, up to 17 mm Ø
FCG007	12-45 mm	155 mm	Rotary, up to 18 mm Ø



## Clamp for big diameters

### FCK003

Made of stainless steel with chain and spring clamp, it allows holding securely recipients with big diameters.

Code	Rod (ØxL)	For diameters
FCK003	12x220 mm	90-145 mm



## Clamp for thermometers

### FCK001

Made of chromeplated metal with rotary bosshead for rods up to 18 mm diameter.

Code	Opening	Length
FCK001	6-15 mm	140 mm





## Suspension clamp for thermometers



### FCK002

Made of chromeplated metal and with fixed bosshead for rods up to 18 mm diameter. It allows hanging a thermometer over a recipient with the liquid whose temperature must be controlled.

Code	Length
FCK002	130 mm

## Test tube clamps



CODE: FFN006

CODE: FFN005

### FFN005 and FFN006

They allow holding and safety transporting test tubes heated at high temperatures. For tubes up to 25 mm diameter.

Code	Length	Material
FFN005	150 mm	Steel
FFN006	180 mm	Wooden

## Beaker tongs

CODE: FFN001



CODE: FFN002\_003

### FFN001, FFN002 and FFN003

To hold and safely transport beakers at high temperatures or with dangerous substances. Made of chrome-plated steel, they present PVC-coated prongs to avoid the beaker slips.

Code	Modelo	Opening	Length
FFN001	2 prongs	50-150 mm	260 mm
FFN002	2 prongs	0-160 mm	250 mm
FFN003	3 prongs	0-220 mm	300 mm

## Evaporating dish tong



### FFL012

Especially suited for holding and transporting porcelain evaporating dishes or any other flan-bottom recipient (Petri dishes, crystallizing dishes,..) that have been heated at high temperatures thus making easier its extraction from ovens or furnaces. Made of stainless steel.

Code	Opening	Length
FFL012	65-190 mm	260 mm



## Crucible tongs

**FFL001, FFL002, FFL003, FFL004, FFL005, FFL006, FFL007, FFL009, FFL010 and FFL011**

Made of stainless steel or chromeplated steel. With bow and curved serrated jaws.

Code	Length total	Opening	Material
FFL001	150 mm	20 mm	Chromeplated steel
FFL002	200 mm	28 mm	Chromeplated steel
FFL003	250 mm	32 mm	Chromeplated steel
FFL004	300 mm	32 mm	Chromeplated steel
FFL005	350 mm	32 mm	Chromeplated steel
FFL006	400 mm	40 mm	Chromeplated steel
FFL007	450 mm	40 mm	Chromeplated steel
FFL009	200 mm	25 mm	Stainless steel
FFL010	250 mm	30 mm	Stainless steel
FFL011	300 mm	32 mm	Stainless steel



## Hoffman clamps

**FHD001, FHD002, FHD003, FHD004, FHD005 and FHD006**

Made of nickelplated steel they present a compressor screw and a base with two positions (open or close). To compress latex tubes and thus adjust the gas or liquid flow.

Code	Opening
FHD001	12 mm
FHD002	17 mm
FHD003	20 mm
FHD004	25 mm
FHD005	30 mm
FHD006	40 mm



## Mohr clamps

**FHD007, FHD008, FHD009, FHD010 and FHD011**

Made of nickelplated metal. To compress latex tubes and thus regulated the liquid or gas flow.

Code	Opening
FHD007	40 mm
FHD008	50 mm
FHD009	60 mm
FHD010	70 mm
FHD011	80 mm



## Spherical joint clamps

### FCM019, FCM020, FCM021 and FCM022

Made of stainless steel, they are used for holding spherical ground joints. With locking screw for maximum security.



Code	For joining
FCM019	R-13
FCM020	R-19
FCM021	R-29
FCM022	R-35

## Clips for tapered ground joints

### FCM001, FCM002, FCM003, FCM004, FCM005, FCM006, FCM007, FCM008, FCM009, FCM010 and FCM011

Chromeplated steel



Code	Ground joint
FCM001	10/19
FCM002	14/23
FCM003	19/26
FCM004	24/29
FCM005	29/32
FCM006	34/35

Polyoxymethylene (POM)



Code	Ground joint	Colour
FCM007	14/23	Yellow
FCM008	19/26	Blue
FCM011	24/29	Green
FCM010	29/32	Red
FCM009	45/40	Brown