



JIZERSKÁ PORCELÁNKA, s.r.o.

Producer of laboratory and technical porcelainsince1947

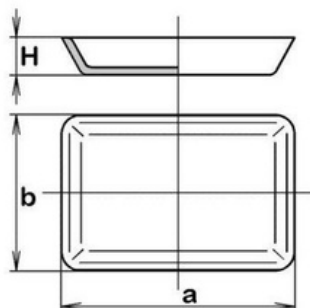


PRODUCT SPECIFICATIONS SHEET

Incinerating dish . rectangular

Jizerská porcelánka s.r.o. certifies, that the specified products meet all specifications and quality criteria for release. The products comply in every respect with the relevant particular specifications, drawings, relevant standards and regulations in force.

Sign	JIPO Code	V (ml)	H (mm)	a (mm)	b (mm)
255/1	641 322 255 101	6	12	50	35
255/2	641 322 255 201	13	12	62	40
255/2a	641 322 255 221	28	14	74	49
255/3	641 322 255 301	40	14	95	65



Intended uses: Laboratory applications. Can be used in microwave, dishwasher, direct fire only with ceramic wire gauze. Do not use for induction heating.

Material: Porcelain C110

Shape: Flat bottom, low form, without spout, without graduation



JIZERSKÁ PORCELÁNKA, s.r.o.

Producer of laboratory and technical porcelainsince1947



PRODUCT SPECIFICATIONS SHEET

Incinerating dish, rectangular

Compliant to: ISO material for the manufacture lies within the group C110 according to ČSN EN 60672 –3
Product dimension tolerances are controlled by DIN 40680
Acid resistance acc. to ISO 1775

Properties: Unglazed products can be used at temperatures up to 1350°C / 2462°F and glazed ones at temperatures of up to 1000°C / 1,832°F (Δt 230°C)
Products have high resistance to acids and bases
Density 2.4 g/cm³
Bending strength of unglazed products (70MPa)
Thermal conductivity (W.m-1.K-1) = 1.3

The compliance of demands is proved by regular tests and followed noticed tests from an independent laboratory:

Test according ČSN EN 60672-2

Determination of thermal shock resistance Δt 230°C

Test in liquid nitrogen

Test resistance to acids and bases

Disclaimer: *Jizerská porcelánka s.r.o. wants to state that these specifications can only be regarded as general information and will not discharge the user from his obligation to ensure the product is suitable for the intended use. If there's any doubt ask us.*