

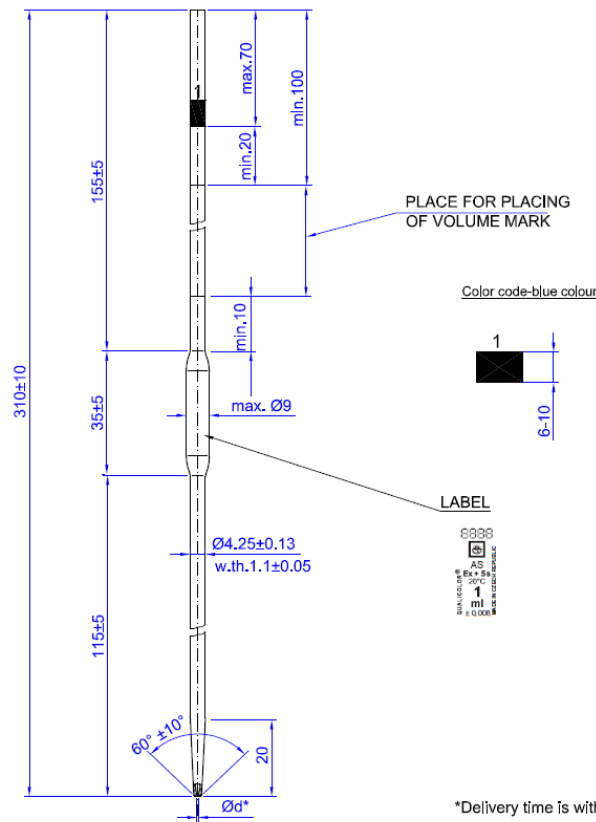
FICHA TÉCNICA / DATA SHEET / FICHE TECHNIQUE

PIPETAS 1 AFORO CLASE A
VOLUMETRIC PIPETTES 1 MARK, CLASS A
PIPETTES JAUGÉE 1 TRAIT, CLASSE A

- | | | |
|---|---|---|
| <ul style="list-style-type: none"> - Fabricadas en vidrio, clase "A". - Un engrase para medición de volumen fijo. - Graduación en azul - Calibrada a 20º - Con código de color azul - ISO 648 | <ul style="list-style-type: none"> - Made of glass, class "A". - 1 flushes for fixed volume measurement. - Blue graduation - Calibrated to 20°. - Blue colour coded - ISO 648 | <ul style="list-style-type: none"> - En verre, classe "A". - 1 marque de mesure à volume fixe. - Graduation bleu - Calibré à 20°. - Code couleur bleu - ISO 648 |
|---|---|---|

DJD007

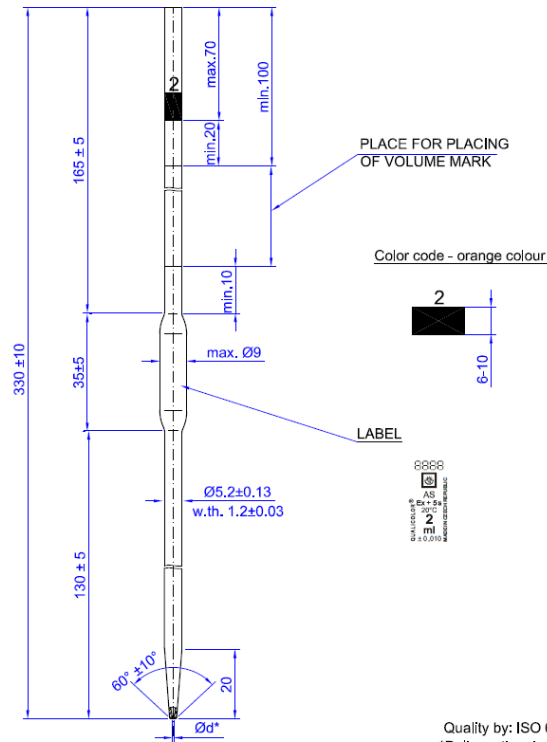
1 mL +/- 0.008



*Delivery time is within 7-11s.
 Quality by: ISO 648.

DJD008

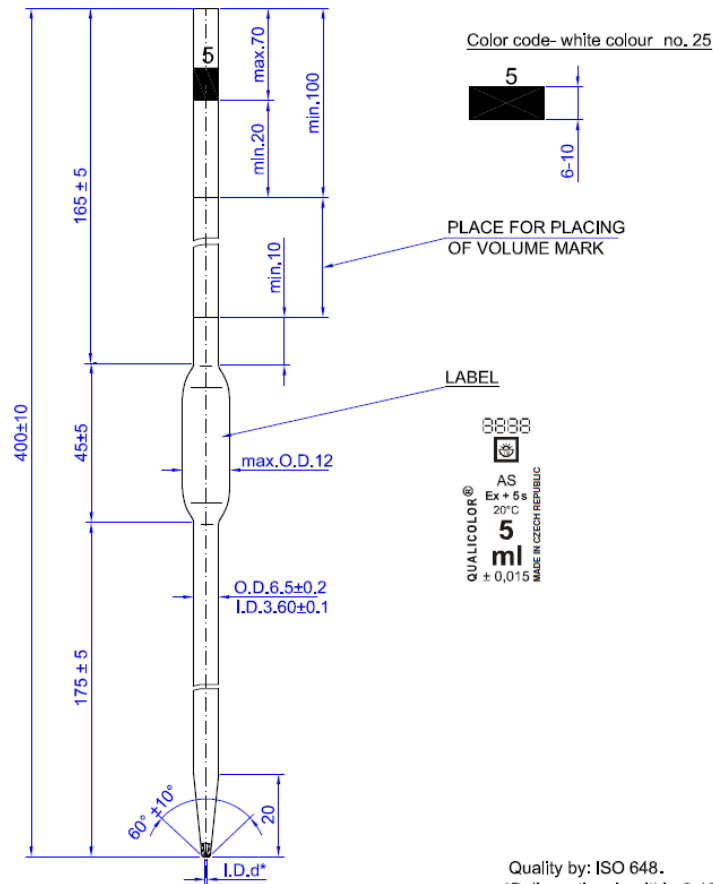
2 mL +/- 0.10 mL



Quality by: ISO 648.
 *Delivery time is within 7-11s.

DJD009

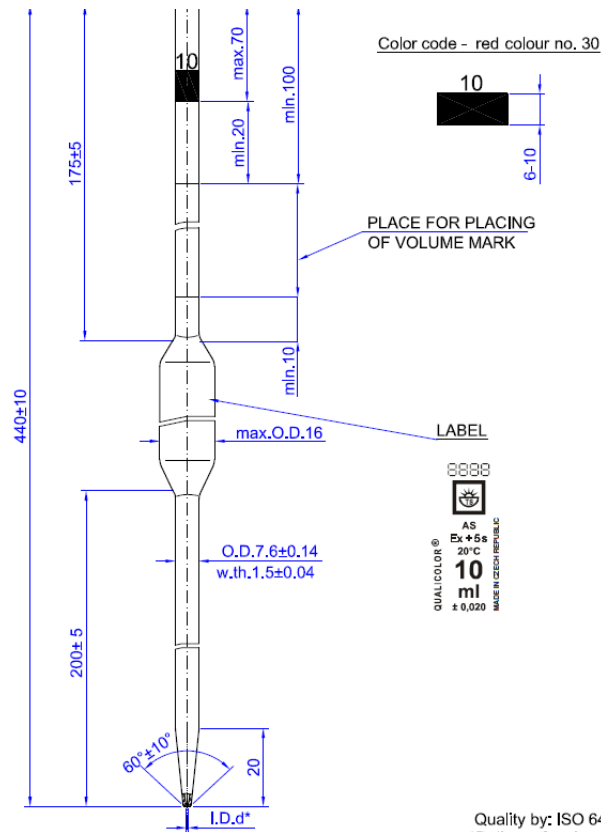
5 mL +/- 0.015 mL



Quality by: ISO 648.
 *Delivery time is within 9-13s.

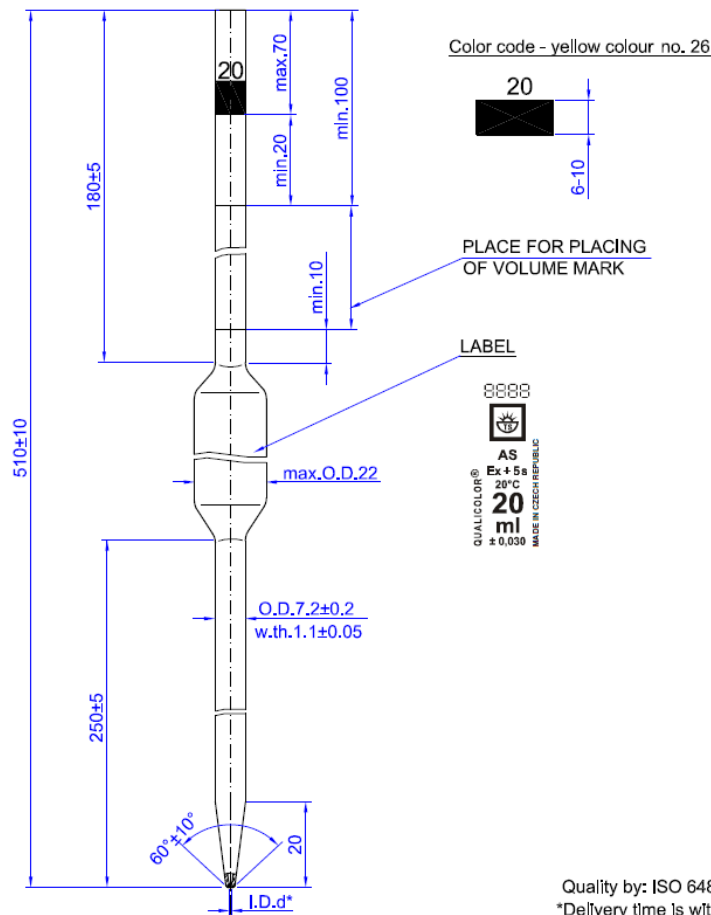
DJD010

10 mL +/- 0.020 mL



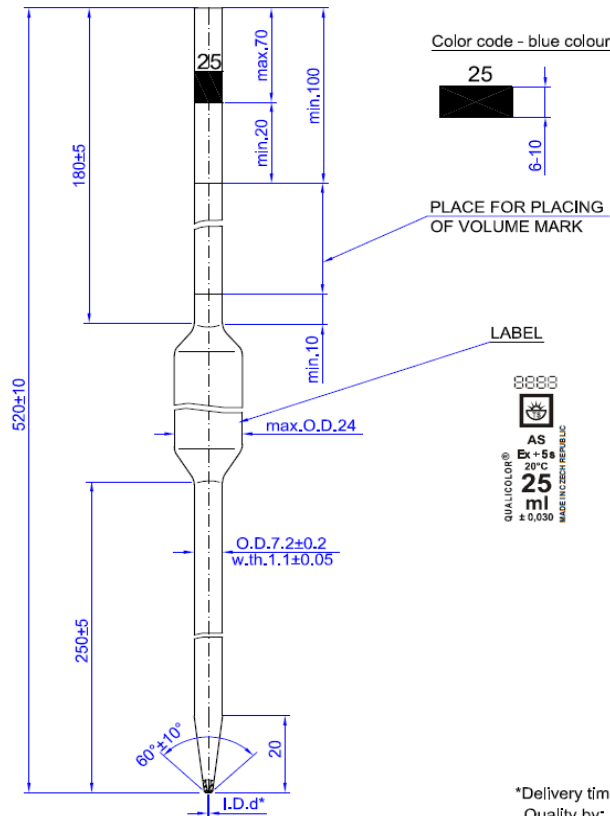
DJD011

20 mL +/- 0.030 mL



DJD012

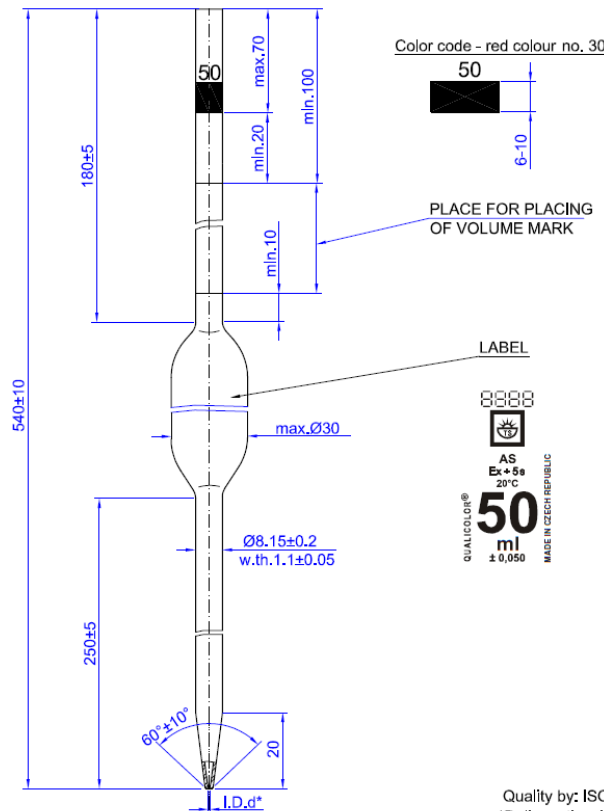
25 mL +/- 0.030 mL



*Delivery time is within 15-20s.
 Quality by: ISO 648

DJD013

50 mL +/- 0.050 mL



Quality by: ISO 648
 *Delivery time is within 20-25s.

