

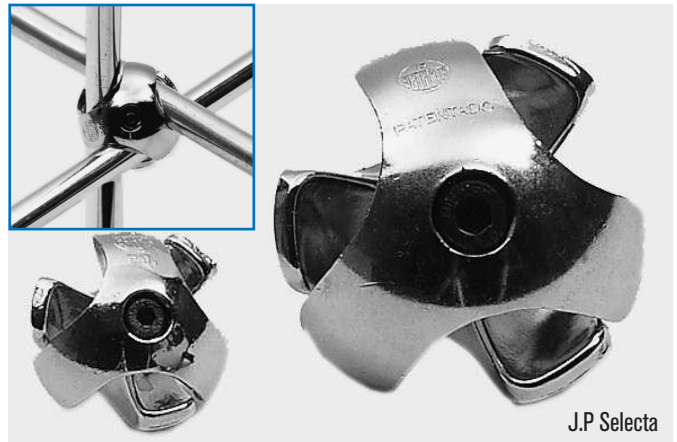


### BOSSHEAD "P" TYPE

Nickel alloy bosshead.  
For fixing perpendicular structures.  
For 12 mm Ø bars.  
Part No. **1000011**

### ACCESSORY

Allen hex key. Suitable for "P" type bosshead.  
Part No. **1000111**



J.P Selecta

### ORIGINAL BOSSHEAD "TREVINGE"

Made of chrome plated "Dural" alloy.  
Due to its strength, suitable for multilevel and three dimension constructions.  
Part No. **7008133** For Ø of 9 to 13 mm.  
Part No. **7008253** For Ø of 19 to 25 mm.



### RODS AND TUBES

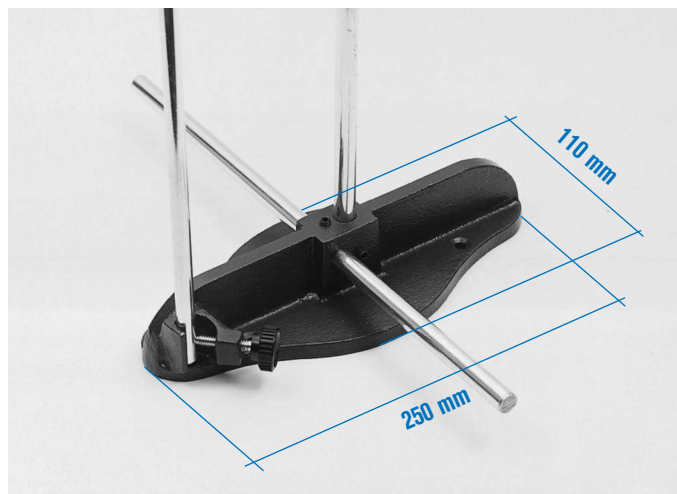
12 mm Ø bars and rods. To be used with the "TREVINGE" and "P" type bossheads.

#### Dur-aluminium rods.

Part No.	Length
<b>6000026</b>	60 mm.
<b>6000220</b>	200 mm.
<b>6000235</b>	350 mm.
<b>6000270</b>	700 mm.
<b>6002100</b>	1000 mm.
<b>6002150</b>	1500 mm.
<b>6002200</b>	2000 mm.
<b>6002300</b>	3000 mm.

#### AISI 304 stainless steel tube.

Part No.	Length
<b>6000016</b>	60 mm.
<b>6000120</b>	200 mm.
<b>6000135</b>	350 mm.
<b>6000170</b>	700 mm.
<b>6001100</b>	1000 mm.
<b>6001150</b>	1500 mm.
<b>6001200</b>	2000 mm.
<b>6001300 (rod)</b>	3000 mm.



### UNIVERSAL MOUNTING BASE

Bench top multiple rod support.  
Suitable for mounting and supporting vertical and horizontal bars.  
Part No. **1000050**



### MOUNTING FOOT SUPPORT FOR RODS

For rod Ø of 12 mm.  
Part No. **1000101** Rod position horizontal.  
Part No. **1000049** Rod position vertical.



### SIMULTANEOUS FOOT SUPPORT

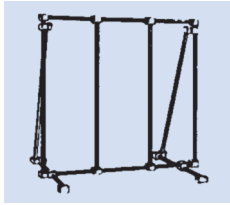
For rod Ø of 12 mm.  
Simultaneous positions, horizontal and vertical.  
Part No. **1001102**



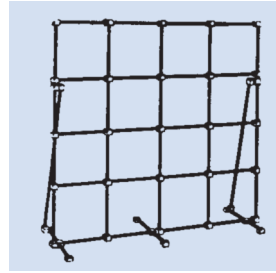
### BENCH CLAMP "PASS"

Original Phywe. Clamps to the bench while holding from 4 to 12 mm diameter rod. Bench top width up to 40mm.  
Part No. **1394855**

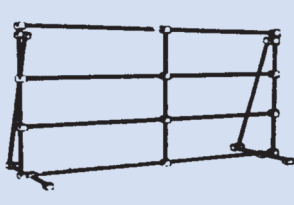
## SUPPORT STAND KITS



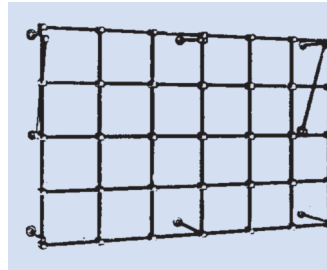
**700 high x 700 mm long.**  
 Made up of:  
 8 rods 700 mm long.  
 2 rods 350 mm long.  
 16 "P" type bossheads.  
 4 foot supports.  
 1 Allen key.  
 Part No. **6000090** Dur-aluminium  
 Part No. **6000190** AISI 304 stainless steel



**1000 high x 1000 mm long.**  
 Made up of:  
 10 rods of 1000mm long.  
 2 rods 700 mm long.  
 3 rods 350 mm long.  
 34 "P" type bossheads.  
 6 foot supports.  
 1 Allen key.  
 Part No. **6000902** Dur-aluminium  
 Part No. **6001902** AISI 304 stainless steel



**700 high x 1000 mm long.**  
 Made up of:  
 4 rods 1000 mm long.  
 5 rods 750 mm long.  
 2 rods 350 mm long.  
 20 "P" type bossheads.  
 4 foot supports.  
 1 Allen key.  
 Part No. **6000901** Dur-aluminium  
 Part No. **6001901** AISI 304 stainless steel



**1000 high x 2000 mm long.**  
 Made up of:  
 5 rods 2000 mm long.  
 7 rods 1000 mm long.  
 8 rods 200 mm long.  
 2 rods 350 mm long.  
 45 "P" type bossheads.  
 8 foot supports.  
 1 Allen key.  
 Part No. **6000903** Dur-aluminium  
 Part No. **6001903** AISI 304 stainless steel

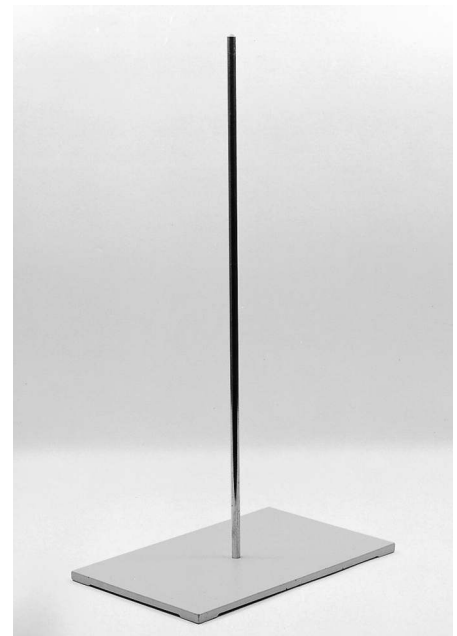


### SUPPORT "STAND"

Solid base, three vertical rods of 800 mm in height, two horizontal rods of 500 mm in length, six "P" type bossheads. Made of Dur-aluminium.  
 Weight: 6.5 Kg.  
 Part No. **6000482**

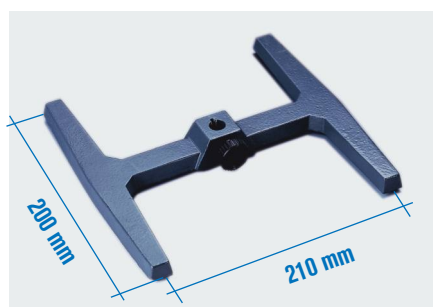
### CENTRAL ROD RETORT STAND

Vertical rod of Dur-aluminium of 10 Ø x 600mm high.  
 Weight: 3 Kg.  
 Base dimensions 315 x 200 mm.  
 Part No. **6000046**



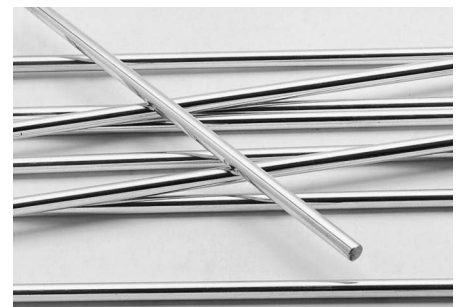
### TRIPOD SUPPORT "PASS"

Original Phywe.  
 To support square and round rods from 6 to 14 mm dia.  
 Weight: 2 Kg.  
 Base with levelling screws.  
 Part No. **6200255**



### DOUBLE BASE SUPPORT T "MINI"

Small foot support with screw clamp for removable rods from 8 to 12 mm Ø.  
 Weight: 1.2 Kg.  
 Part No. **6001103**



### STANDARD RODS

Made from AISI 340 stainless steel. Suitable for double "T MINI" and Tripod "PASS"  
 Part No. **6001160** 8 Ø x 500 mm length  
 Part No. **6000534** 10 Ø x 600 mm length  
 Part No. **6000535** 12 Ø x 700 mm length